

ARMONIA

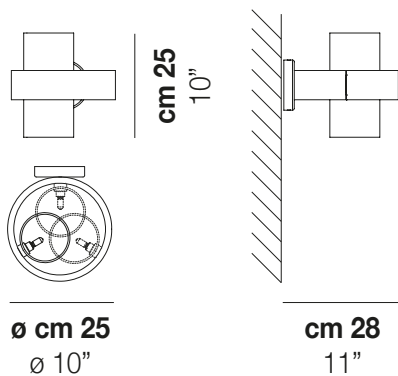
Design Francesco Lucchese

ARMONIA AP 25



A collection with contemporary connotations that contains precious historical features: that of glass processings such as the “balloton” and the straight and twisted rigadin.

ARMONIA AP 25



TECHNICAL DATA:



CERTIFICATIONS:



LIGHT SOURCES

1x60W 220-240 V
50/60 Hz G9

VOLUME Mc 0,07
GROSS WEIGHT Kg 5
NET WEIGHT Kg 3

[download](#)



SHADE FINISHING

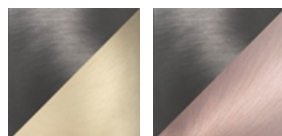


AMRI

CRRRI

FURI

FRAME FINISHING



N_O

N_R